

Joint conference of
22nd International Society of Magnetic Resonance
Conference
9th Asia-Pacific NMR Symposium (APNMR9)
60th Annual Meeting of the Nuclear Magnetic
Resonance Society of Japan (2021)
60th Annual Meeting of the Society of Electron Spin
Science and Technology
(ISMAR-APNMR-NMRSJ-SEST2021)

Call for Sponsorship

Organizer:
Organizing Committee of the ISMAR-APNMR-NMRSJ-SEST2021

ISMAR-APNMR-NMRSJ-SEST2021

Conference Summary

1. Name of the conference

ISMAR-APNMR-NMRSJ-SEST2021
(ISMAR-APNMR2021)

2. Organizer

Organizing Committee of the ISMAR-APNMR-NMRSJ-SEST2021
International Society for Magnetic Resonance in Medicine
The Asia-Pacific Nuclear Magnetic Resonance Society
The Nuclear Magnetic Resonance Society of Japan
The Society of Electron Spin Science and Technology (SEST)

3. Co-sponsors

The Physical Society of Japan
The Chemical Society of Japan
The Society of Polymer Science
The Pharmaceutical Society of Japan
The Japan Society for Analytical Chemistry (TBD)
The Biophysical Society of Japan
Protein Science Society of Japan
The Japanese Biochemical Society (TBD)
The Molecular Biology Society of Japan
Japan Society for Bioscience, Biotechnology, and Agrochemistry

4. Conference Period

August 22 (Sunday) – 27 (Friday), 2021 (6 days)

5. Venue

Osaka International Convention Center
5-3-51, Nakanoshima Kita-ku, Osaka 530-0005 Japan / Tel: +81-6-4803-5555

6. Executing Agency

Organizing Committee of the ISMAR-APNMR-NMRSJ-SEST2021

A. Company Exhibition

1) Outline

Date: August 23 (Monday) – 27 (Friday), 2021 (5 days)

Venue: Osaka International Convention Center, Event Hall

Installation, Set-up: afternoon, August 22 (Sunday), 2021

Dismantle: evening, August 27 (Friday), 2021

Booth charge: JPY 300,000 / booth (tax free)

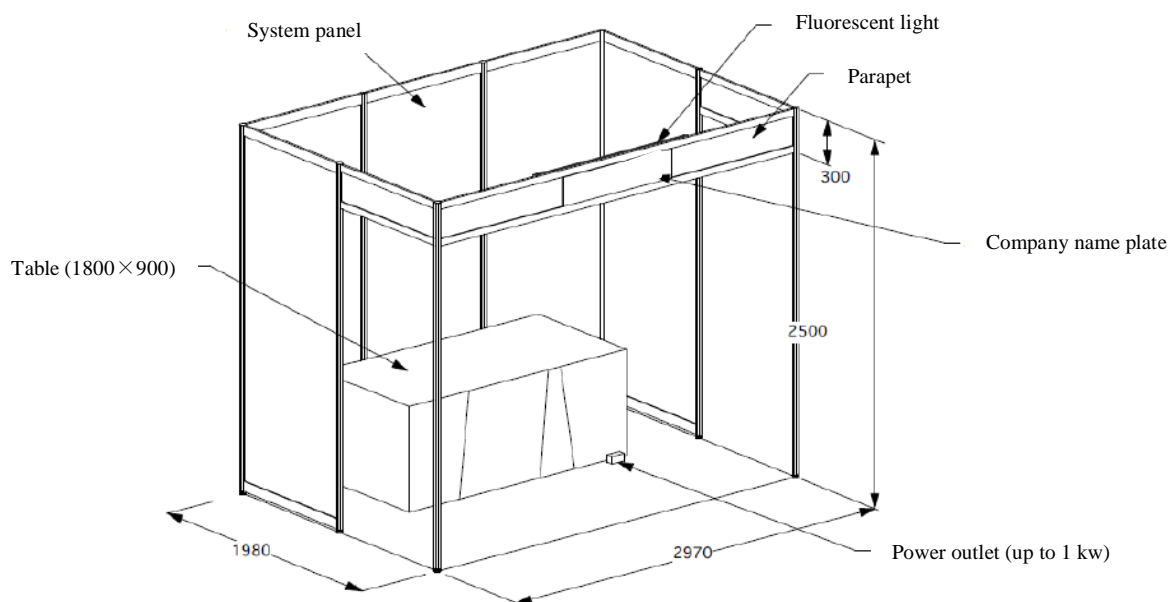
*A program book will be given to the exhibitors.

*With regard to the booth allocation, please entrust the task to the organizing committee.

2) Booth Package (Dimension: Width 3.0m × Depth 2.0m × Height 2.4m / booth)

Following equipment are included in the booth charge:

Back panel / side panels / company name plate (printed in black, uniform format) /
fluorescent light / power outlet (up to 1 kw)



*Other equipment than listed above will be required additional charge.

*Further details will be provided in the Exhibitor Manual which will be distributed later.

3) How to Apply

Please apply on-line from the Sponsors & Exhibitors page in the ISMAR-APNMR-NMRSJ-SEST2021 website. <https://www.ismar-apnmr2021.org/>

Application Deadline: April 1 (Thursday), 2021

The organizing committee will confirm whether each booth is able to participate in the exhibition or not, and notify the confirmation at a later date.

4) Payments and other notice

◆ Payment for booth charge

The invoice for the booth charge will be issued after the confirmation of your application. Please send your payment by bank transfer until the due date written on the invoice. After receiving the payment, we will consider that your application is complete. (Please burden bank transfer fee at each company's expense.)

◆ Cancellation

The cancellation after the confirmation is not accepted as a general rule. The cancellation can be accepted only if the organizing committee admits the cancellation is caused by unavoidable reasons.

◆ Management of exhibit materials

Exhibitors are responsible for managing their exhibit materials and items displayed. Please note that the organizing committee shall not be responsible for any theft, loss, damages and troubles during the exhibition.

B. Advertisement in Program Book

1) Advertising media name

ISMAR-APNMR-NMRSJ-SEST2021 Program Book

2) Distribution target

Conference participants

3) Circulation

1000 books (A4 size, Length 297mm × Width 210mm)

4) Advertising fee

- 1 page (in monochrome): JPY 200,000 (tax free)
- 1/2 page (in monochrome): JPY 100,000 (tax free)

*The advertising company will receive one program book for free (it will be delivered after the conference)

5) Advertisement manuscript

Please send a complete data to the Secretariat. (ismar-apnmr2021@jtbcom.co.jp)

6) How to apply

Please apply on-line from the Sponsors & Exhibitors page in the ISMAR-APNMR-NMRSJ-SEST2021 website. <https://www.ismar-apnmr2021.org/>

7) Important Dates

Application deadline: **April 1 (Thursday), 2021**

Manuscript submission deadline: June 30 (Wednesday), 2021

Publication scheduled date: August 22 (Sunday), 2021

8) Payments

The invoice for the advertisement will be issued after the confirmation of your application. Please send your payment by bank transfer until the due date written on the invoice. (Please burden bank transfer fee at each company's expense.)

9) Account information for advertising fees

Bank Name: MUFG Bank, LTD.
Branch Name: Shin Marunouchi Branch (422)
Branch Address: 1-4-1 Marunouchi, Chiyoda-ku, Tokyo, 100-0005, JAPAN
Account Number: 3679936 (ordinary deposit)
Account Name: ISMAR2021
SWIFT Code: BOTKJPJT

C. Sponsorship Fundraising

1) **Name**

ISMAR-APNMR-NMRSJ-SEST2021 Fundraising

2) **Application period**

May 1 (Friday), 2020 - August 31 (Tuesday), 2021

3) **The reason we ask for the sponsorship fundraising**

Since 1,000 attendees are expected in this conference, several expenses are required to this conference, such as costs for its preparation and management, travel supports for the invited speakers, and fee assistance for young researchers participation. These expenses should be paid primarily by the organizer from registration fee incomes, however; we have budget limitations to pay the costs from registration fee received from attendees. So we need to ask for your kind support for the necessary expenses. We are sure that this conference would achieve a significant success, so we sincere would like to ask for your understanding our situation and agree with our conference purposes. It is much appreciated if you would support our conference.

4) **Uses of fund supports we requested**

Fund supports we requested will be used for expenses in the preparation and operation of the ISMAR-APNMR-NMRSJ-SEST2021.

5) **Organizer**

ISMAR-APNMR-NMRSJ-SEST2021 Organizing Committee

Chairpersons: Toshimichi Fujiwara Institute for Protein Research, Osaka University

6) **Amount**

Single unit of fund support: JPY 150,000

7) **Account information for fundraising**

Bank Name: MUFG Bank, LTD.

Branch Name: Shin Marunouchi Branch (422)

Branch Address: 1-4-1 Marunouchi, Chiyoda-ku, Tokyo, 100-0005, JAPAN

Account Number: 3679936 (ordinary deposit)

Account Name: ISMAR2021

SWIFT Code: BOTKJPJT

8) Privilege

- One person will be invited to the conference by every two units of fund support.
- Names of supporters will be printed in the ISMAR-APNMR-NMRSJ-SEST2021 Program Book. Please note only the name of supporters applied by July 31, 2021 can be printed in the book due to the printing process.

9) How to apply

Please apply on-line from the Sponsors & Exhibitors page in the ISMAR-APNMR-NMRSJ-SEST2021 website. <https://www.ismar-apnmr2021.org/>

Application deadline: **August 31 (Tuesday), 2021**

Inquiry and contact

Secretariat of the ISMAR-APNMR-NMRSJ-SEST2021

Reiko Takahashi (Ms.)

c/o JTB Communication Design, Inc.

Celestine Shiba Mitsui Bldg., 3-23-1 Shiba, Minato-ku, Tokyo 105-8335, Japan

Tel: +81-3-5657-0777 / FAX: +81-3-3452-8550

E-mail: ismar-apnmr2021@jtbcom.co.jp

D. Sponsorship Packages

We offer four types of sponsorship packages for those who would like to support ISMAR-APNMR-NMRSJ-SEST2021: “Platinum”, “Gold”, “Silver” and “Bronze” with different privileges depending on the level of sponsorship.

(tax free)

Sponsor's Privilege		1. Platinum	2. Gold	3. Silver	4. Bronze
1	Exhibition booth (W3.0m×D2.0m×H2.4m/ booth)	8 booths	6 booths	4 booths	2 booths
2	Invitation to the conference and banquet	10 persons	5 persons	2 persons	1 person
3	Advertisement in the program book	1 page (Color) *back cover	1 page (Monochrome)	1 page (Monochrome)	1 page (Monochrome)
4	Printing company logo on the congress bags	✓			
5	Printing company logo on nameplate straps	✓			
6	Distributing company flyers enclosed in the congress bags	✓	✓	✓	✓
7	Displaying company logo on the website and printed materials	✓	✓	✓	✓
8	Other contents discussed with the Organizing Committee	TBD	TBD		
Sponsorship fee		TBD	TBD	JPY3,000,000	JPY1,000,000

How to apply

Please apply on-line from the Sponsors & Exhibitors page in the ISMAR-APNMR-NMRSJ-SEST2021 website. <https://www.ismar-apnmr2021.org/>

Application deadline: December 1 (Tuesday), 2020

Inquiry and contact

Secretariat of the ISMAR-APNMR-NMRSJ-SEST2021

Reiko Takahashi (Ms.)

c/o JTB Communication Design, Inc.

Celestine Shiba Mitsui Bldg., 3-23-1 Shiba, Minato-ku, Tokyo 105-8335, Japan

Tel: +81-3-5657-0777 / FAX: +81-3-3452-8550

E-mail: ismar-apnmr2021@jtbc.com.co.jp

E. Sponsorship Items

1) **Banquet sponsor**

Your company logo will be displayed on signboards in the banquet hall. Services contents to be offered will be decided by the Organizing Committee.

- Number of sponsors: 1 sponsor
- Sponsorship fee: JPY 4,000,000 (tax free)

2) **Coffee break sponsor**

Your company logo will be displayed on signboards at the coffee break corner. Services contents to be offered will be decided by the Organizing Committee.

- Number of sponsors: 1 sponsor / day
- Sponsorship fee: JPY 500,000 (tax free) / day

3) **Distributing company flyers enclosed in the congress bags**

Your company flyer will be enclosed in the congress bags and distributed to conference attendees. Please provide us about 1,000 copies.

- Sponsorship fee: JPY 50,000 (tax free)

4) **Distributing novelty items**

Novelty items (ball-point pens, memo pads, etc.) carrying your company logo can be distributed to conference attendees. Please provide us about 1,000 units.

- Number of sponsors: 1 sponsor / item
- Sponsorship: no charge (Please provide the items ready to be distributed)

5) **Others**

If you have other contents that you can support with, please contact us.

6) **How to apply**

Please apply on-line from the Sponsors & Exhibitors page in the ISMAR-APNMR-NMRSJ-SEST2021 website. <https://www.ismar-apnmr2021.org/>

Application deadline: April 1 (Thursday), 2021

Inquiry and contact

Secretariat of the ISMAR-APNMR-NMRSJ-SEST2021

Reiko Takahashi (Ms.)

c/o JTB Communication Design, Inc.

Celestine Shiba Mitsui Bldg., 3-23-1 Shiba, Minato-ku, Tokyo 105-8335, Japan

Tel: +81-3-5657-0777 / FAX: +81-3-3452-8550

E-mail: ismar-apnmr2021@jtbcom.co.jp